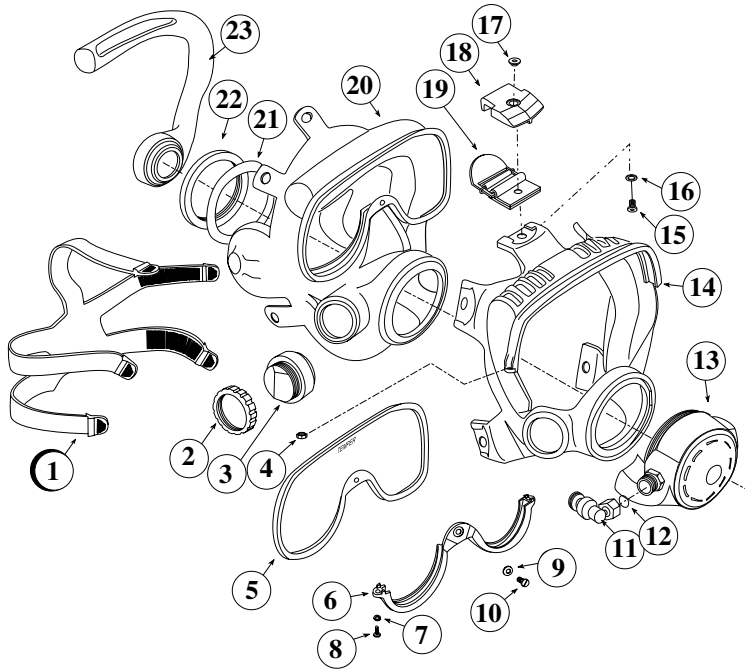




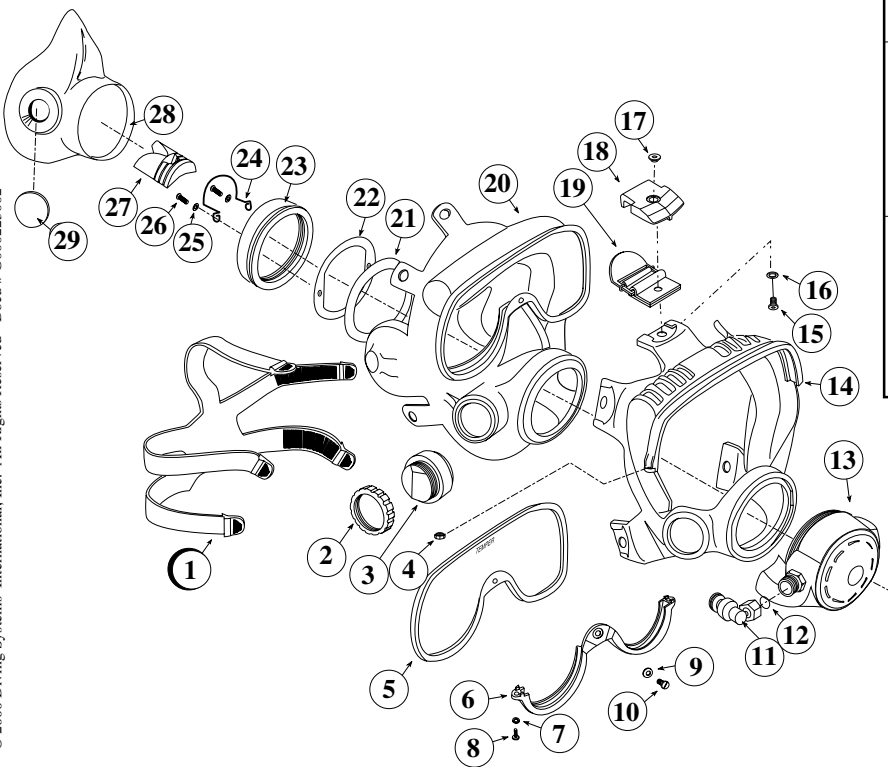
### Kirby Morgan EXO Original Full Face Mask



1	310-025	Spider
2	320-026	Comm Mount Nut
3	305-020	Comm Plug, w/ screws & Washers
4	330-105	Nut
5	365-002	Lens
6	320-017	Clamp, black
7	330-205	Washer
8	330-005	Screw
9	330-506	Washer
10	330-010	Screw
11	305-036	Inlet Angle Assem. (includes #12)
12	510-010	O-Ring
13	305-010	Regulator Assem. (includes #11)
14	320-015	Frame Exoskeleton, black
15	330-020	Screw
16	330-210	Washer
17	350-040	Nut
18	320-019	Buckle Cap, black
19	345-010	Buckle
20	310-001	Mask Seal
21	320-040	Reg. Mount Washer
22	350-005	Mount Nut
23	310-015	Inlet Tube

© 2000 Diving Systems International, Inc. All Rights Reserved • Docu # G000223001

### Kirby Morgan EXO Standard Full Face Mask

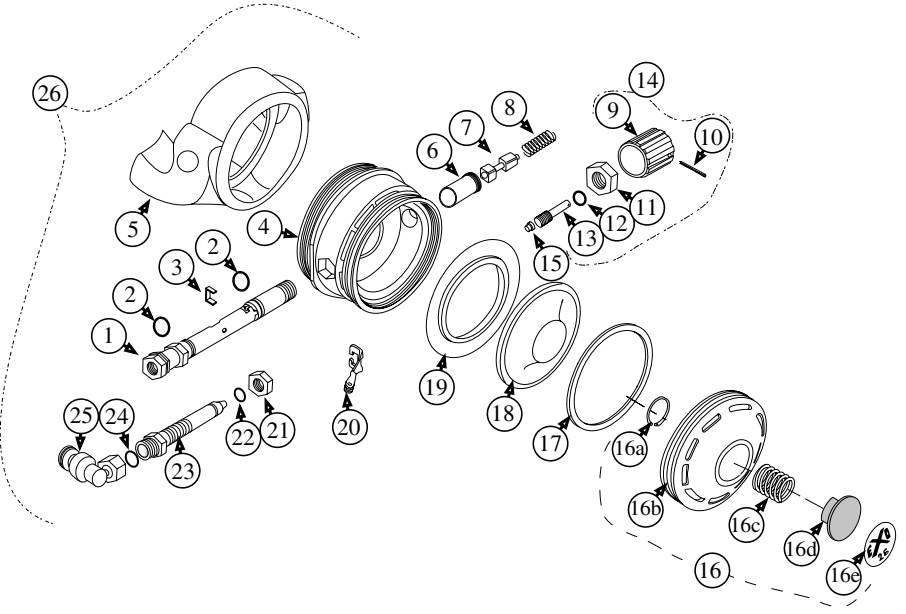


1	310-025	Spider
2	320-026	Comm Mount Nut
3	305-020	Comm Plug, w/ screws & Washers
4	330-105	Nut
5	365-002	Lens
6	320-017	Clamp, black
7	330-205	Washer
8	330-005	Screw
9	330-506	Washer
10	330-010	Screw
11	305-036	Inlet Angle Assem. (includes #12)
12	510-010	O-Ring
13	305-055	Regulator Assem. (includes #11)
14	320-015	Frame Exoskeleton
15	330-020	Screw
16	330-210	Washer
17	350-040	Nut
18	320-019	Buckle Cap.
19	345-010	Buckle
20	310-001	Mask Seal
21	320-040	Reg. Mount Washer
22	340-015	Mount Ring
23	350-047	Mount Nut
24	330-900	Wire Retainer
25	330-515	Washer
26	330-040	Screw
27	310-357	Equalizer
28	310-055	Oral Nasal
29	320-001	Plug

© 2000 Diving Systems International, Inc. All Rights Reserved • Docu # G000223002

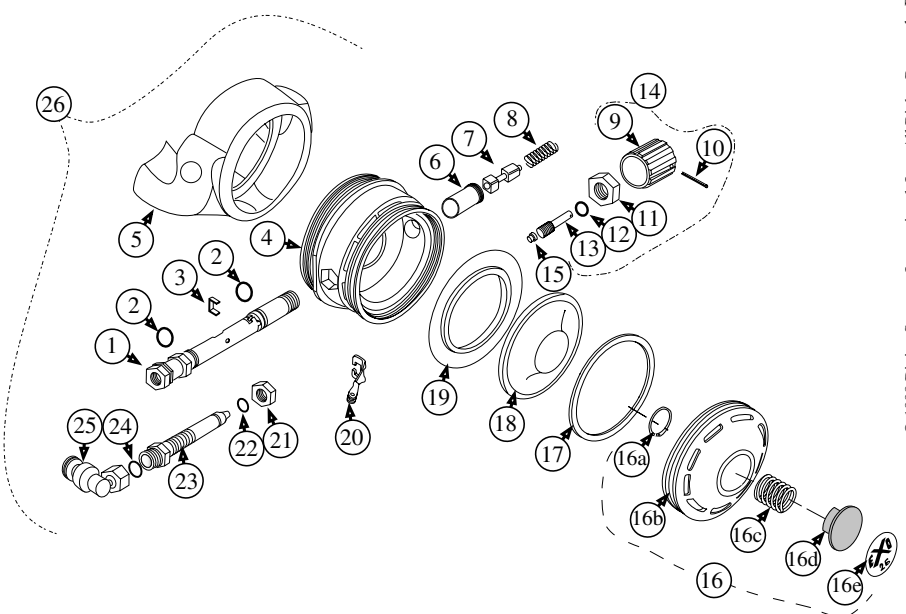
**Kirby Morgan EXO Original Regulator  
Part # 305-010**

1	350-010	Main Tube
2	310-013	O-Ring
3	340-004	Horseshoe
4	320-005	Regulator Body
5	310-020	Exhaust Whisker
6	350-035	Sleeve
7	305-030	Inlet Valve
8	335-005	Spring
9	320-035	Knob, Adjustment
10	530-601	Roll Pin
11	350-025	Packing Nut
12	510-011	O-Ring
13	350-045	Shaft, Adjustment
14	305-015	Reg Adjustment Assembly
15	350-065	Spacer
16	305-005	Cover Assembly
16a	535-905	Retaining Clip
16b	350-075	Cover
16c	535-810	Spring, Purge Button
16d	520-017	Purge Button
16e	320-070	Purge Button Sticker
17	320-030	Washer
18	510-553	Diaphragm
19	310-065	Exhaust Valve
20	545-038	Roller Lever Assembly
21	350-020	Nut, Adjustment Lock
22	510-010	O-Ring
23	350-015	Nipple Tube
24	510-010	O-Ring
25	305-036	Inlet Angle Assem. (w/ 24)
26	305-010	Regulator Assembly



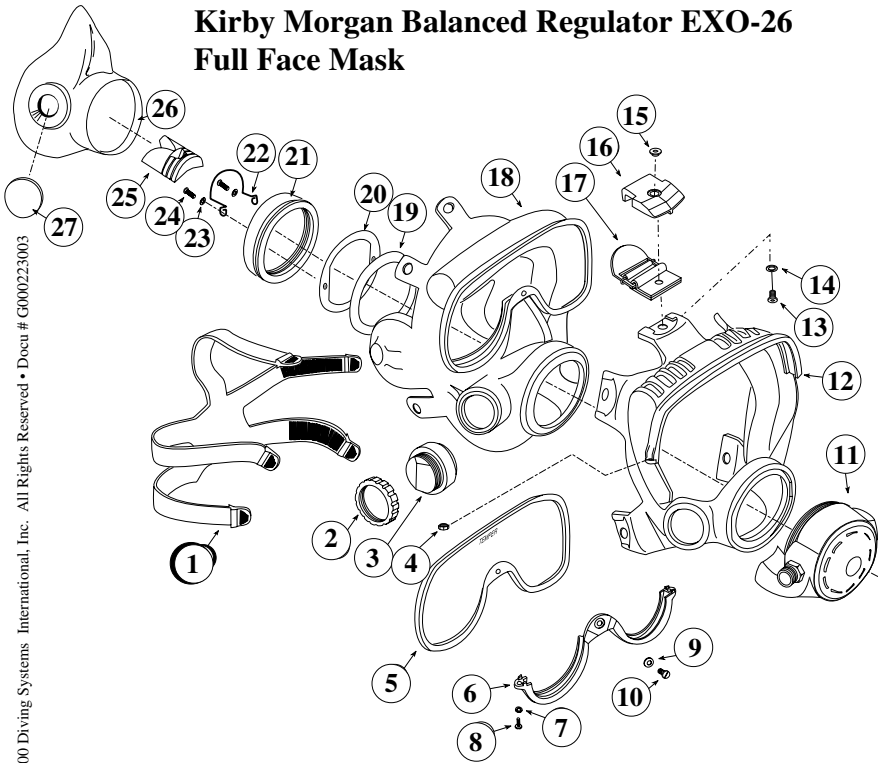
**Kirby Morgan EXO Standard Regulator  
Part # 305-055**

1	350-010	Main Tube
2	310-013	O-Ring
3	340-004	Horseshoe
4	320-005	Regulator Body
5	310-020	Exhaust Whisker
6	350-035	Sleeve
7	305-030	Inlet Valve
8	335-005	Spring
9	320-035	Knob, Adjustment
10	530-601	Roll Pin
11	350-025	Packing Nut
12	510-011	O-Ring
13	350-045	Shaft, Adjustment
14	305-015	Reg Adjustment Assembly
15	350-065	Spacer
16	305-005	Cover Assembly
16a	535-905	Retaining Clip
16b	350-075	Cover
16c	535-810	Spring, Purge Button
16d	520-017	Purge Button
16e	320-070	Purge Button Sticker
17	320-030	Washer
18	510-553	Diaphragm
19	310-065	Exhaust Valve
20	545-038	Roller Lever Assembly
21	350-020	Nut, Adjustment Lock
22	510-010	O-Ring
23	350-015	Nipple Tube
24	510-010	O-Ring
25	305-036	Inlet Angle Assem. (w/ 24)
26	305-055	Regulator Assembly





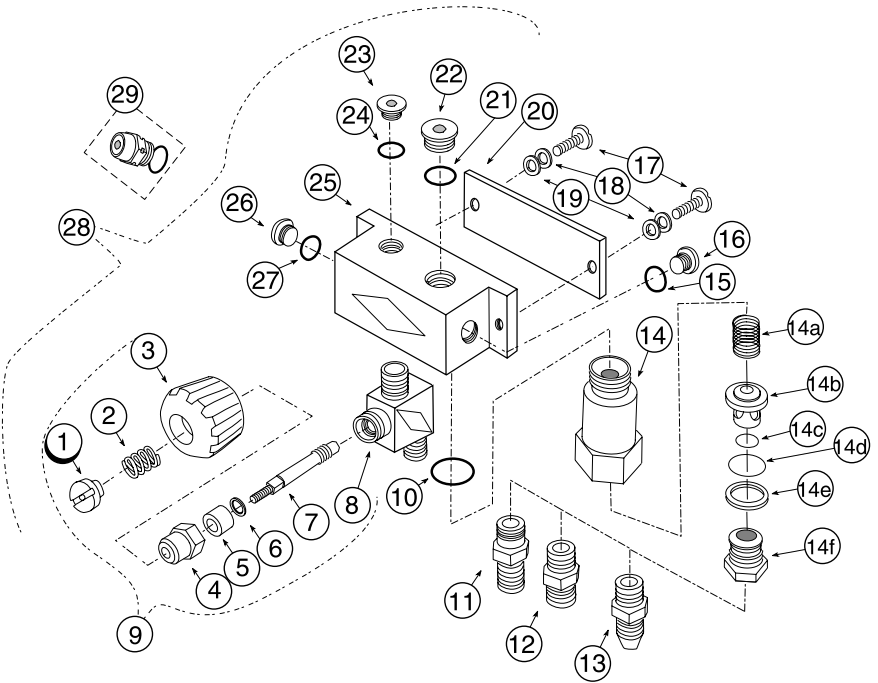
### Kirby Morgan Balanced Regulator EXO-26 Full Face Mask



1	310-025	Spider
2	320-026	Comm Mount Nut
3	305-020	Comm Plug, w/ screws & Washers
4	330-105	Nut
5	365-002	Lens
6	320-028	Clamp, yellow
7	330-205	Washer
8	330-005	Screw
9	330-506	Washer
10	330-010	Screw
11	305-040	Regulator Assem.
12	320-016	Frame Exoskeleton, yellow
13	330-020	Screw
14	330-210	Washer
15	350-040	Nut
16	320-021	Buckle Cap, yellow
17	345-010	Buckle
18	310-001	Mask Seal
19	320-040	Reg. Mount Washer
20	340-015	Mount Ring
21	350-047	Mount Nut
22	330-900	Wire Retainer
23	330-515	Washer
24	330-040	Screw
25	310-357	Equalizer
26	310-055	Oral Nasal
27	320-001	Plug

© 2000 Diving Systems International, Inc. All Rights Reserved • Docu # G000223003

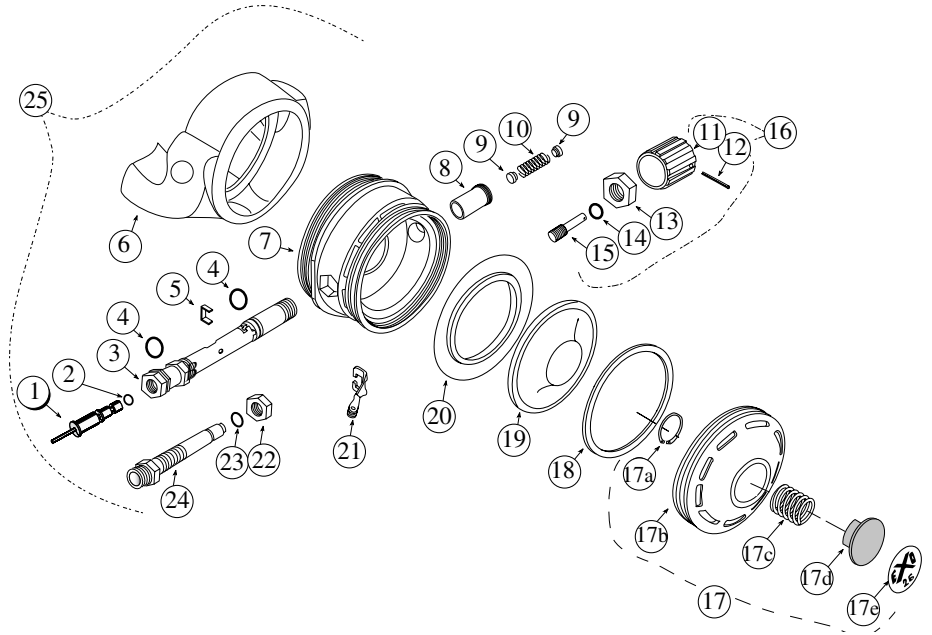
### Optional Manifold Block Assembly



1	550-019	Locknut
2	535-802	Spring
3	520-025	Knob
4	550-091	Packing Nut
5	520-024	Packing
6	540-095	Washer
7	550-138	Stem
8	550-140	Auxiliary Valve Body
9	505-070	Auxiliary Valve Assembly
10	510-483	O-Ring
11	355-205	Scuba Adapter
12	555-117	Adapter, Brass O <sup>2</sup>
13	355-225	Adapter, Brass #6 JIC
14	555-195	One Way Valve High Flow
15	310-003	O-Ring
16	550-095	Plug, small w/O-ring
17	530-070	Screw
18	330-405	Lock washer
19	530-527	Washer
20	340-011	Backing Plate
21	510-013	O-Ring
22	350-060	Plug, Large w/O-ring
23	550-095	Plug, Small w/O-ring
24	310-003	O-Ring
25	350-050	Manifold Block
26	550-095	Plug, Small w/O-ring
27	310-003	O-Ring
28	300-150	Manifold Assem. complete (O <sup>2</sup> )
	300-155	Manifold Assem. complete (#6 JIC)
	300-145	Manifold Assem. complete (scuba)
29	200-017	Over Pressure Relief Valve

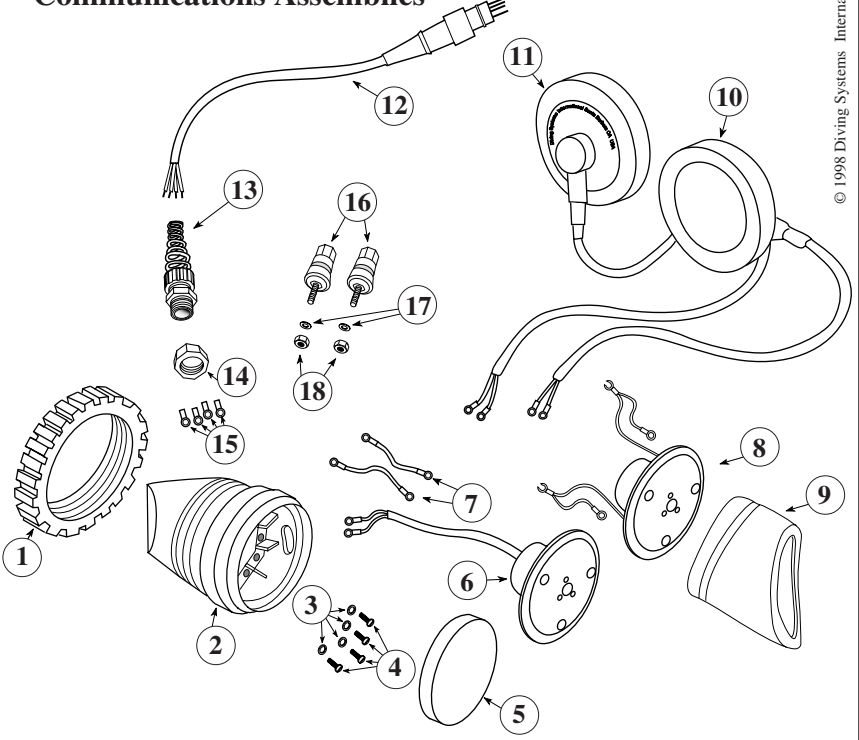
1	305-057	Inlet Valve
2	310-006	O-Ring
3	350-032	Main Tube
4	310-013	O-Ring
5	340-004	Horseshoe
6	310-020	Exhaust Whisker
7	320-041	Regulator Body
8	350-035	Sleeve
9	350-065	Spacer
10	535-910	Spring
11	320-035	Knob, Adjustment
12	530-601	Roll Pin
13	350-025	Packing Nut
14	510-011	O-Ring
15	350-052	Shaft, Adjustment
16	305-045	Reg Adjustment Assem.
17	305-060	Cover Assembly
17a	535-905	Retaining Clip
17b	350-075	Cover
17c	535-810	Spring, Purge Button
17d	520-017	Purge Button
17e	320-080	Purge Button Sticker
18	320-030	Washer
19	510-553	Diaphragm
20	310-065	Exhaust Valve
21	545-038	Roller Lever
22	350-020	Nut, Adjustment Lock
23	310-007	O-Ring
24	350-042	Nipple Tube
25	305-040	Regulator Assembly

## Kirby Morgan EXO-26 Balanced Regulator Part # 305-040



1	320-026	Comm Mount Nut
2	305-020	Comm Module w/5 & 6
	320-023	Comm Module, drilled for posts
	320-024	Comm Module, drilled for W.P.C.
	315-210	Comm Module complete ass'y. w/comms & posts, (Std & BR)
	315-215	Comm Module complete ass'y. w/comms & Male W.P.Connector (Std & BR)
	315-201	Comm Module complete ass'y. w/comms & posts, (Original)
	315-206	Comm Module complete ass'y. w/comms & Male W.P.Connector (Original)
3	330-035	Washer
4	330-030	Screw
5	510-630	Rubber Cover (Std & BR)
6	515-020	Shure Mic. Assembly (Std & BR)
7	515-055	Wiring Harness
8	315-017	Shure Mic. Assembly (Original)
9	310-060	Microphone cup (Original)
10	315-016	Earphone Assembly, Left
11	315-015	Earphone Assembly, Right
12	515-045	Male W.P. Connector
13	315-005	Pigtail
14	350-070	Mount Nut, Pigtail
15	515-049	Terminal
16	315-020	Comm Posts, EXO
17	530-525	Washer
18	530-308	Hex Nut

### Optional Communications Assemblies



© 1998 Diving Systems International, Inc. All Rights Reserved • Docu # 980415007